

## wall mounting socket outlet - housing dimensions 100x75



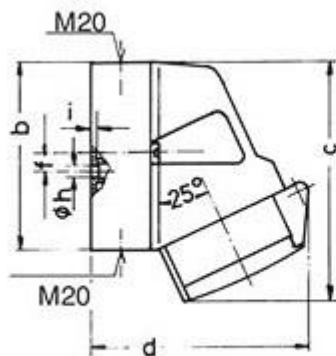
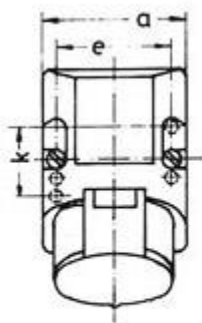
Product description	
BALS-Prd.-Nr	11306
EAN	4024941113069
Product group	GT wall mounting socket outlet
Current	16A
Number of poles	4p
Arrangement of the phases	3P+PE
Earth 'clock' position	6 h
Voltage	380 up to 415V
Frequency	50 and 60Hz

Product description	
Protection degree	IP44
Colour code	red
Colour of appliance	Collar red, Hinged lid red, Housing bottom grey, Housing top grey
Connection design	screw terminal
Maximum conductor size	4,0 qmm
Cable entry	1x Top entry M20 1x Bottom entry M20
Dimension of enclosure	100x75 mm (HxW)
Material of enclosure	Polyamide
Contacts	The contact carrier is made of polyamide, The contacts are brass

Additional technical information	
	The cable entry is one at top open and one at bottom and one rear side closed
	Lower part of housing rotatable by 180°

Logistics data	
Weight/pcs	0.252 kg / piece
Packaging	bag
Content amount	1 ST
EAN	4024941113069
Length	410 mm
Width	285 mm

Logistics data	
Weight	0.252 kg
Packaging	carton
Content amount	10 ST
EAN	4024941967945
Length	387 mm
Width	222 mm
Height	150 mm
Weight	2.713 kg
Volume	11,029.5 ccm



Amperes Poles	<b>16</b>		
	3	4	5
a	64	75	75
b	87	100	100
c	117	129	131
d	103	108	116
e	51	59	59
f	-	11	11
h	4.1	5.1	5.1
i	4.5	4.5	4.5
k	40	-	-
Conductor mm <sup>2</sup> min	1.5	1.5	1.5
Conductor mm <sup>2</sup> max	4	4	4